

## EO - ELECTRIC OVEN SMALL SERIES



### FEATURES

- 9600 Watt - 380 V three phase (EO 80)
- 12000 Watt – 380 V three phase (EO 100)
- Temperature range 0°C to 450°C (32 F- 840 F)
- Six electrical resistors three for the floor and three for the top
- Two independently controlled temperatures one for the floor and another one for the top
- Fully insulated
- Cooking chamber of refractory bricks
- Support frame and front enclosure of stainless steel
- Inox shelf
- Hinged curved door of inox steel with handle covered of wood and inspection window made of tempered glass 8 mm. thick
- Back and top covered with ceramic mosaic tiles

### SPECIFICATIONS:

The cooking chamber is made entirely of refractory bricks with a height of 160 mm ( 6.3 in.)

An external unit control allows the oven management with setting temperature and with the chance of a different setting of the temperature for the floor and for the top.

The exterior front, the support frame and door are made of heavy gauge stainless steel

The door (mm.500 long x mm. 200 high – 20” x 8” ) has a curved shape with inspection window ( mm. 330 long x mm. 100 high – 13” x 4” ) of tempered glass 8 mm.(0,3”) thick

The door handle is made of tubular stainless steel and it's covered with wood.

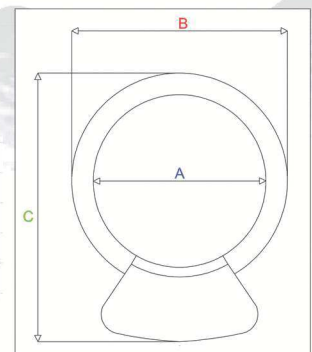
Mouth sizes mm. 400 wide x mm. 160 heigh ( 16” x 6”)

Six tubular heating elements provide to the oven heating , three resistors for the floor and three resistors for the top.

Upon request the oven can be provided with alimentation 220-240 V three phase.

### AVAILABLE SIZES:

MODELLO MODEL	N.PIZZE N.PIZZAS	DIMENSIONI - SIZES						ALTEZZA HEIGHT		PESO WEIGHT		POTENZA POWER	VOLT
		A		B		C		CM	IN	KG	LBS	WATT	
		CM	IN	CM	IN	CM	IN						
EO 80	3	80	32	100	40	125	49	200	79	300	661	9600	380/50/3
EO 100	4	100	40	120	47	145	57	200	79	400	881	12000	380/50/3



Specifications may change without notice.